



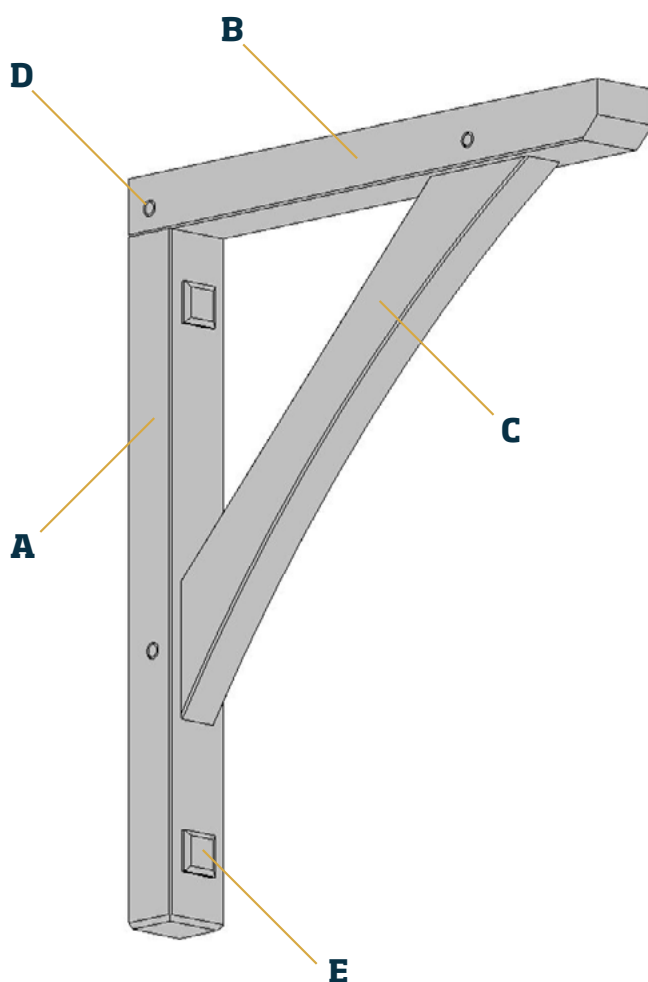
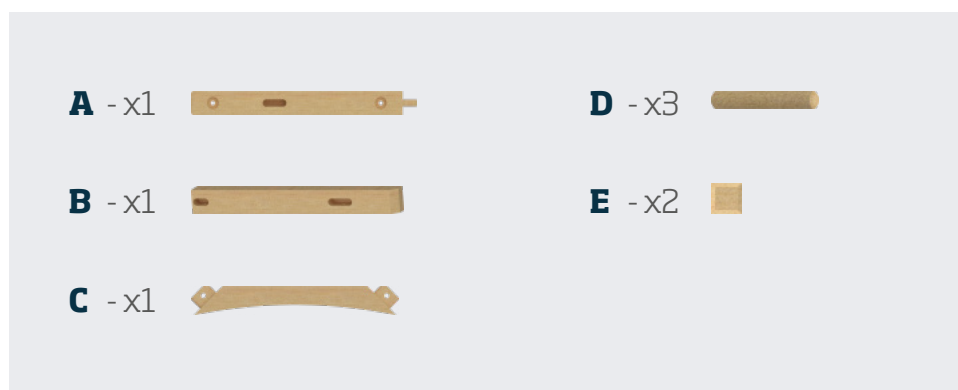
CP300  
**Gallows  
Bracket**  
Fitting  
Instructions

# Important Information

All components should be inspected BEFORE installation commences for any damage and to check all your items are correct before installation. While care is taken to match our engineered timber products, timber is a natural product where the colour, grain structure, can vary.

While we do everything possible to ensure the information contained within these fitting instructions are correct, they are only a general guide, every situation is different. Please read through the fitting instruction fully before commencing any fitting, Cheshire Mouldings will not be held responsible for any mistakes made through incorrect fitting. You will need to take extra care when installing pre-finished components and some touching up will undoubtedly be necessary around the cut areas.

## Components



**Please note:** when gallows brackets CP300 are used with Cheshire Mouldings Apex Porch range, the canopies have been structurally tested to hold a maximum weight loading of **50kg/m<sup>2</sup>**.

*If CP300 is not being used with Cheshire Mouldings canopy, the installer must satisfy themselves, or seek advice from a structural engineer, that the structure does not exceed the maximum weight loading stated.*

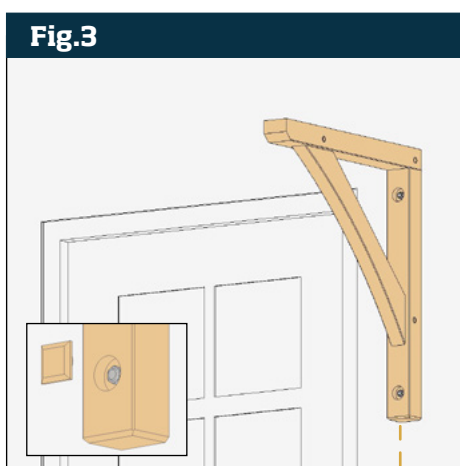
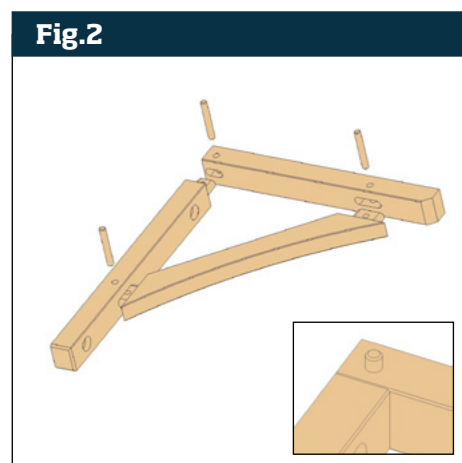
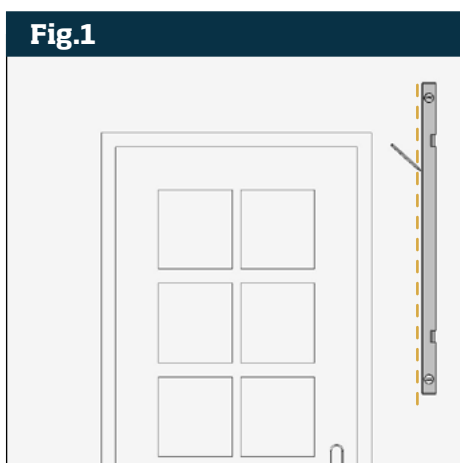
## Fitting Instructions

Measure and mark gallows bracket positions on the wall (**Fig 1**).

Assemble the Gallows Brackets using exterior grade wood glue.

Knock the 15mm diameter dowels supplied into the pre-machined draw-bored tenons (**Fig 2**).

Place and secure the assembled Gallows Brackets to either side of the door to the marked positions on the wall. Fix using 2 x 12mm steel bolts (not supplied). Glue the cover caps to hide fixings (**Fig 3**).



### Info

- For details on Cheshire Mouldings Porch Canopy ranges, please visit our website or request a brochure.
- Canopy tested to hold a weight loading of 50kg/m<sup>2</sup>.
- Maintenance - we recommend that you retreat your Porch Canopy and Accessories Kits annually by cleaning and repainting, staining or varnishing, always following the manufacturer's recommendations.
- Fascias, roofing, finishing components, exterior glue and wall fixings are not included.

CHESHIRE  
mouldings  
**TRADE**

Technical Helpline:  
**Freephone**  
**0800 085 3475**

