

# Universal Handrail to Newel Post Fixing Kit

Your product



[A] x1



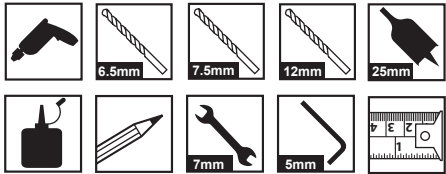
[B] x1



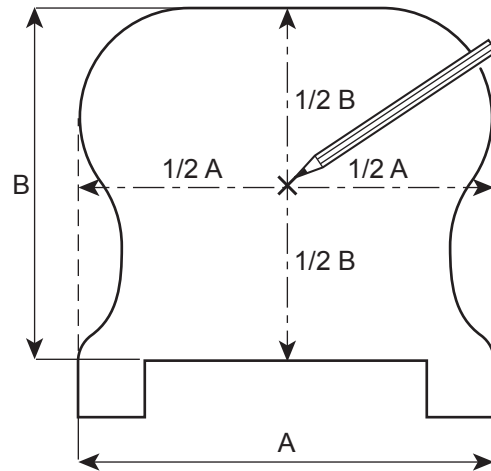
[C] x2

1x Oak / 1x Pine

You will need

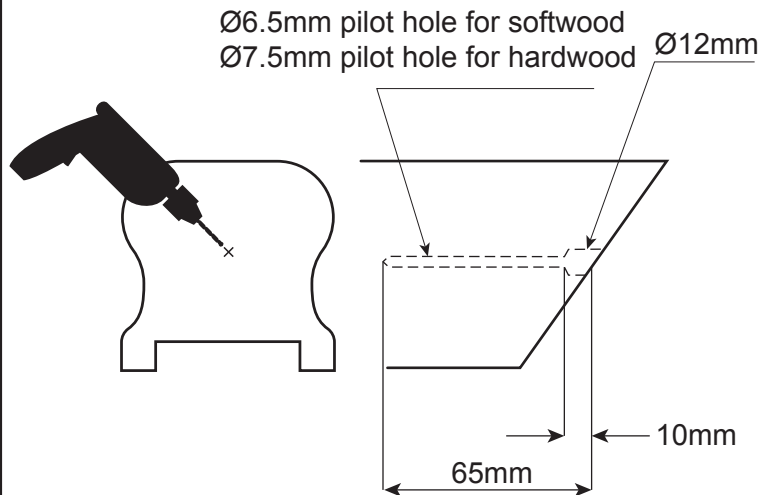


01



Once the handrail has been cut to the required length and at the desired angle, measure and mark the centre of the handrail. It is critical these measurements are correct to ensure an accurate fit.

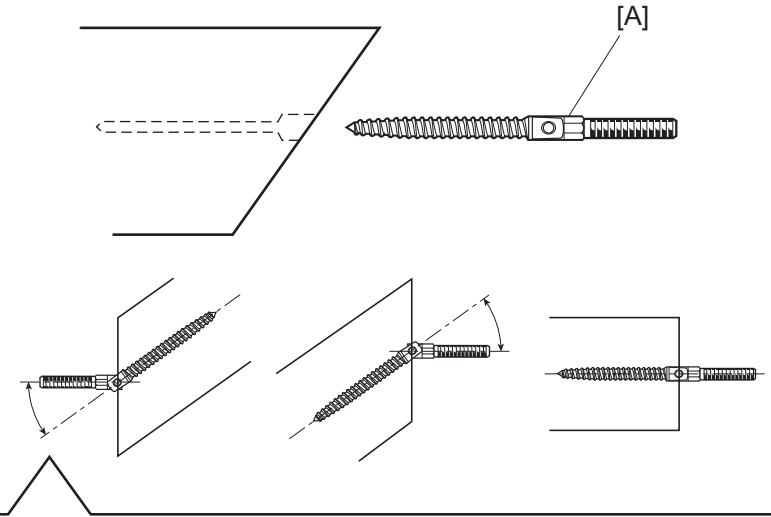
02



03

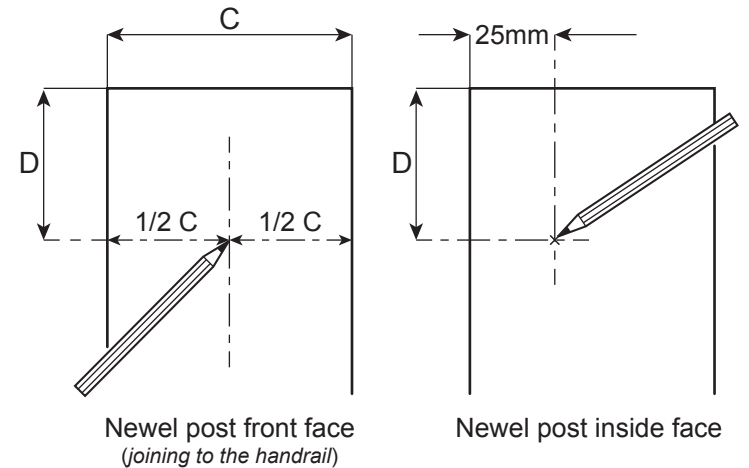


[A] x1



Use a 7mm spanner to insert (A) to the centre of the knuckle section ensuring hinge section can move freely.

04



Measurement 'D' will be determined by the required height of the handrail.

Call our Technical helpline on  
**0800 085 3475**

or visit

[www.cheshiremoulding.co.uk](http://www.cheshiremoulding.co.uk)

[www.planyourstairs.co.uk](http://www.planyourstairs.co.uk)

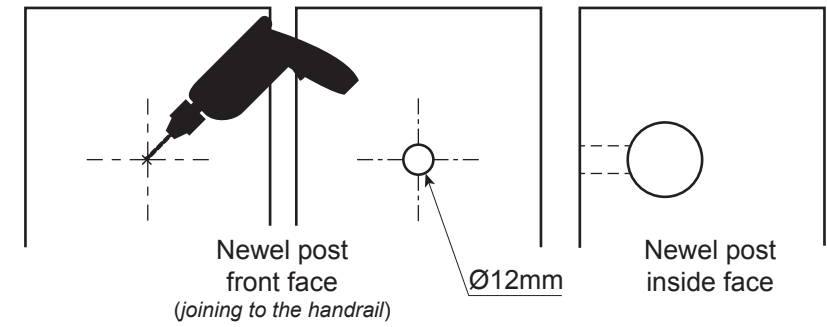
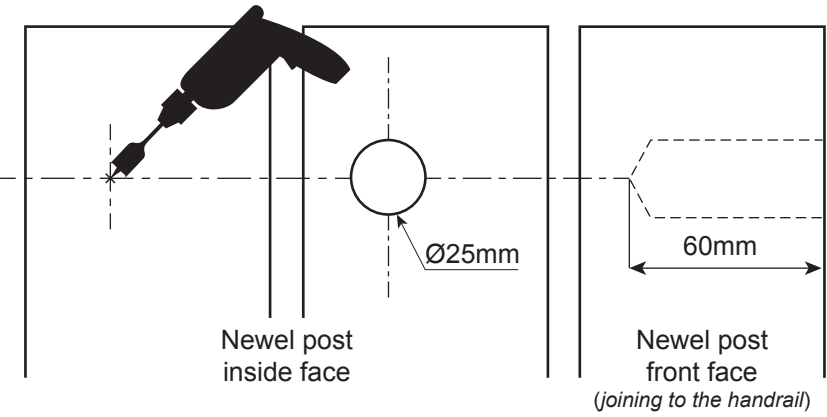
[www.planyourdeck.co.uk](http://www.planyourdeck.co.uk)



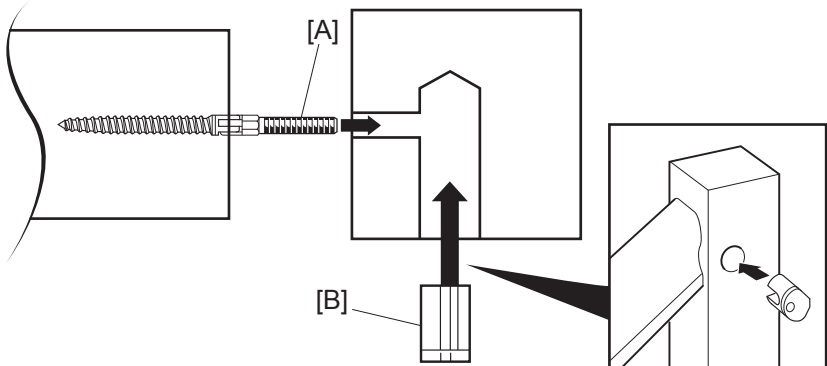
Love the home you're in




05

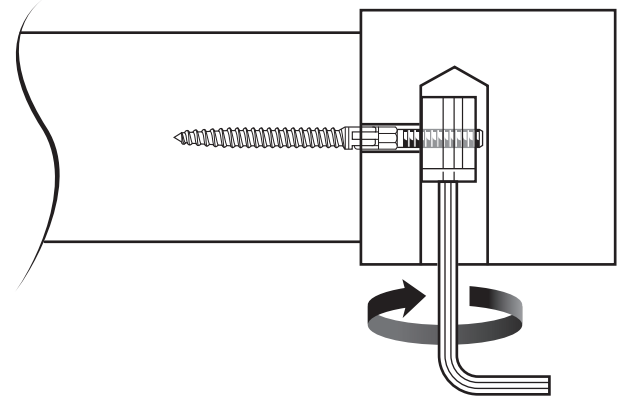


06

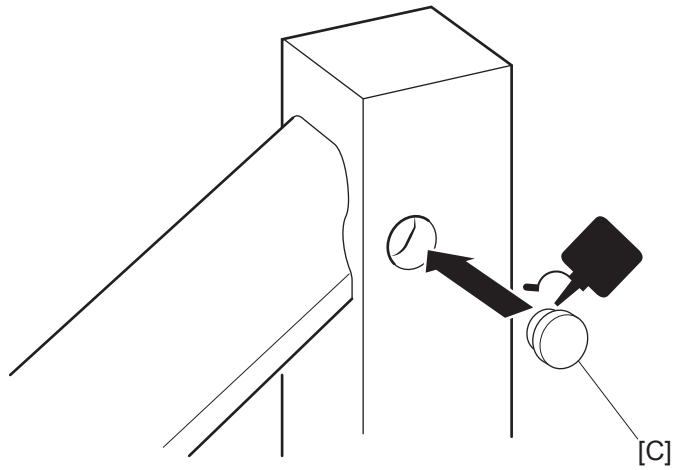


07

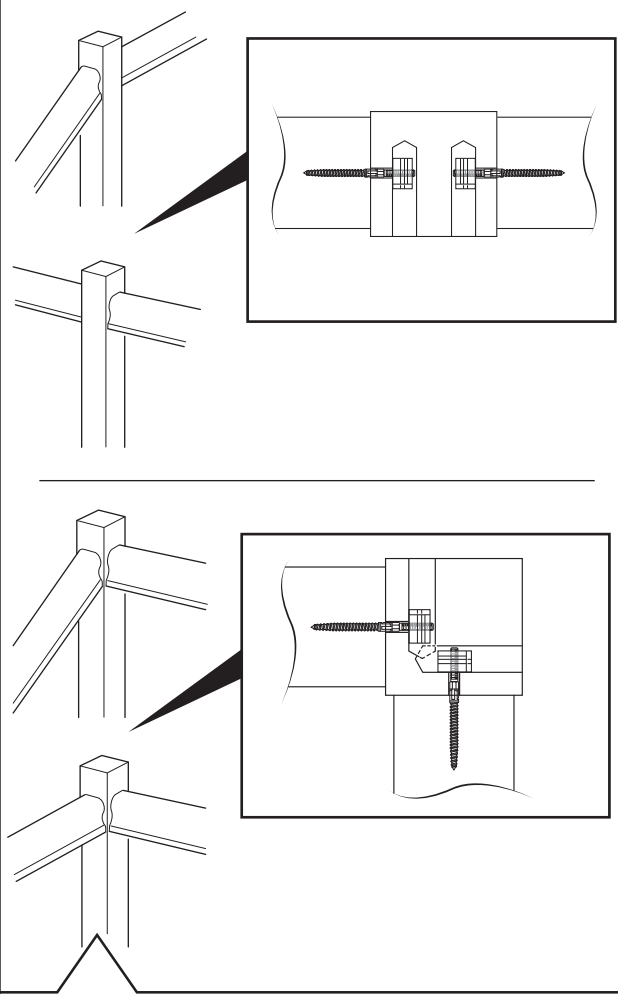
 Ensure the handrail is securely fastened to the newel post




08



09



For the permutations above, repeat steps 1-8 for a second fixing kit (additional fixing kit supplied separately)

 Check the pack and make sure all the components are included, if not call the Helpline on **0800 085 3475** and our team will get things sorted. When you are ready to start, make sure you have the right tools to hand. Don't rush, read the instructions first and run through the sequence before you begin. Assembly should be done in the stages shown in the drawings.