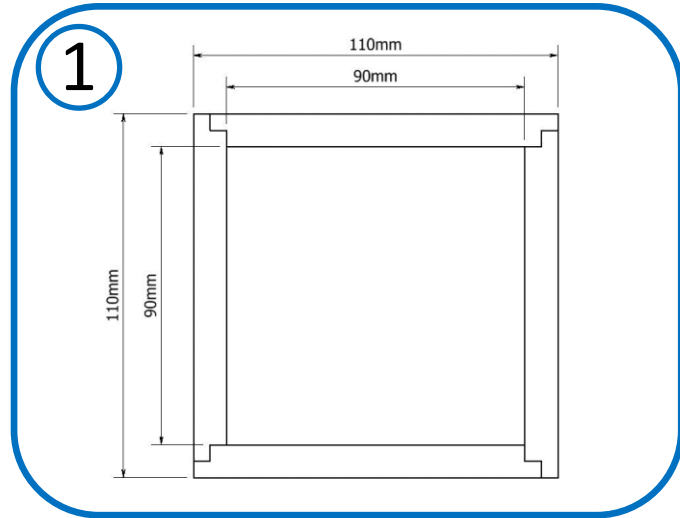
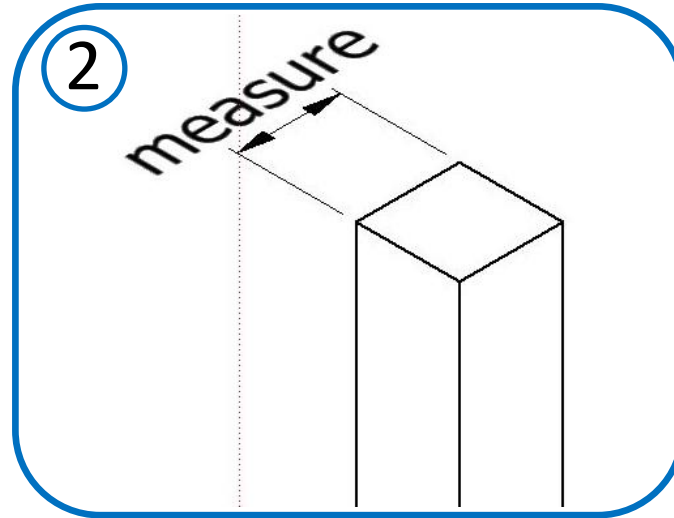


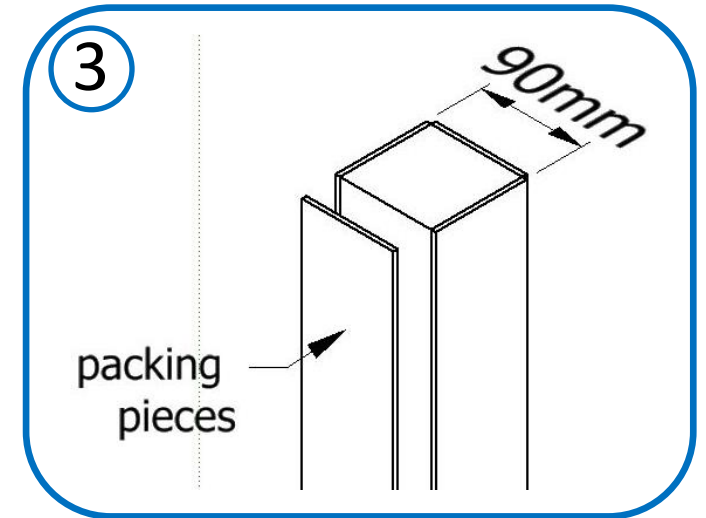
FITTING INSTRUCTIONS – Newel Post Cladding



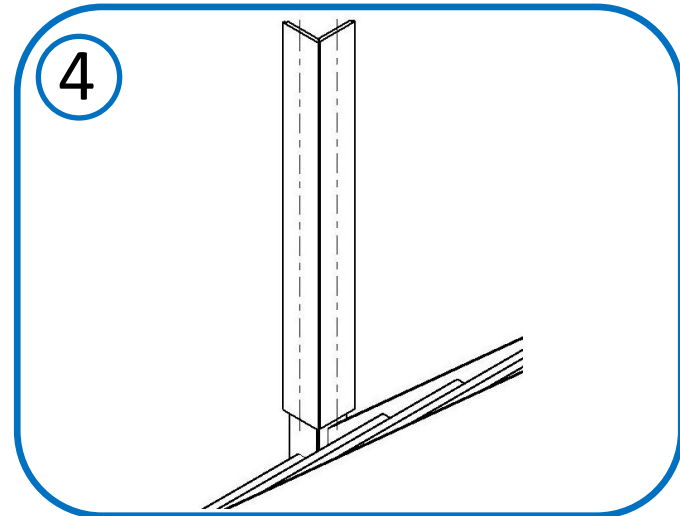
1. Shows how cladding is assembled. It has an internal size of 90 x 90mm with 110 x 110mm external size and suitable for posts up to 2.1m long



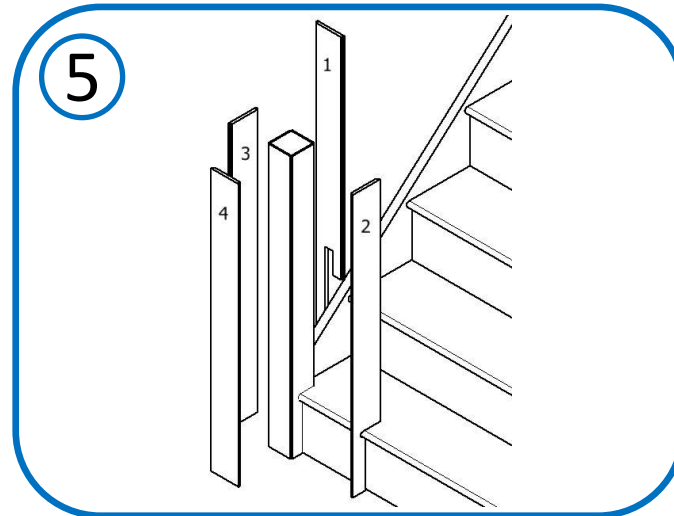
2. Measure section size of existing post and the length



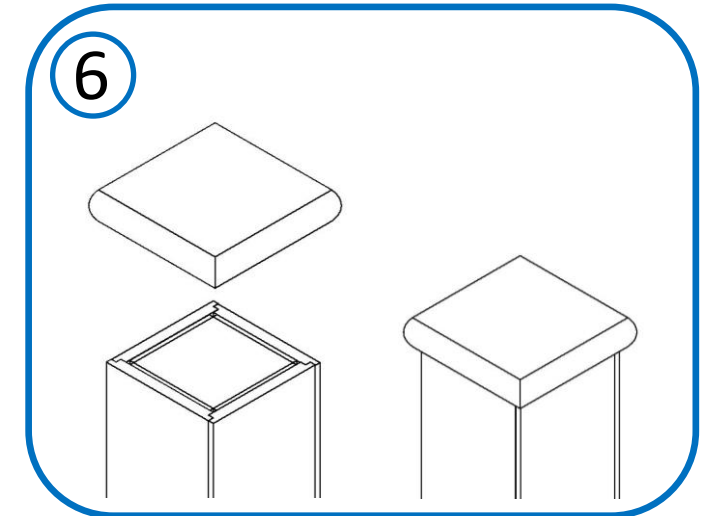
3. To build the post section up to 90mm, cut 4 x packing pieces of equal thickness using suitable material. Glue and pin



4. As the cladding is assembled staggered (ref Fig1), to mark out for string and tread profile, place 2 pieces of cladding together and offer to post as shown. Mark position of string and tread profile



5. With all cladding pieces cut and checked for fit, glue and pin to post following order highlighted above. Don't forget to punch pin heads below surface, apply wood filler and sand smooth



6. Apply adhesive to top of cladded post. Offer cap rebate onto top of post and press down